

NPA New Product Announcement: 新产品公告

Carmex presents a new Multi-Function milling tool (MF)

Carmex展现一个新产品-多功能铣削刀具

Benefits

优点:

- Single tool for multi task operations
单个刀具可用于多项功能加工
- Reduced tool changing time.
减少刀具更换时间
- Reduce the cost - since few operations can be done by a single tool, setup time and programing is being reduced as well as reduction of stock investment.
- Perfect solution for machines with small tool storage/cassette.

用于减少小型刀具库存的、完美的解决方案。

降低成本，通过单个刀具完成多项工序加工。减少编程和设置时间，减少库存和资金占用。

Applications 适用:

- Spotting and Drilling
定心和钻孔
- Side milling
侧铣
- Chamfering
倒角
- Slotting/Grooving/Engraving
插铣 / 槽铣 / 雕刻铣
- Deburring
去毛刺
- Edge chamfering, Interpolation
边缘倒角，插补铣（内插补）

Carbide grade: CR3

硬质合金基体: CR3

Ultra-Fine carbide grade with high hardness and toughness provides high cutting edge stability and wear resistance.

特微细颗粒硬质合金基体，高硬度和高韧性提高切削刃的稳定性和耐磨性。

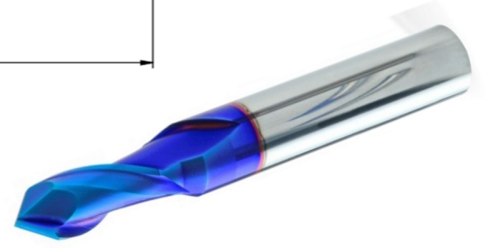
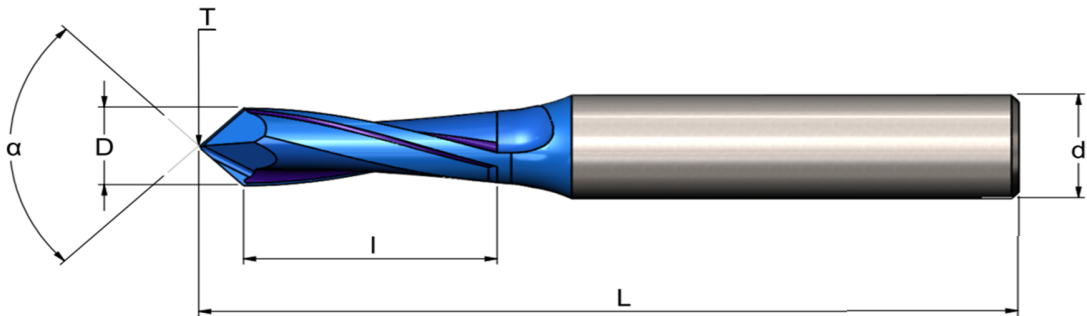
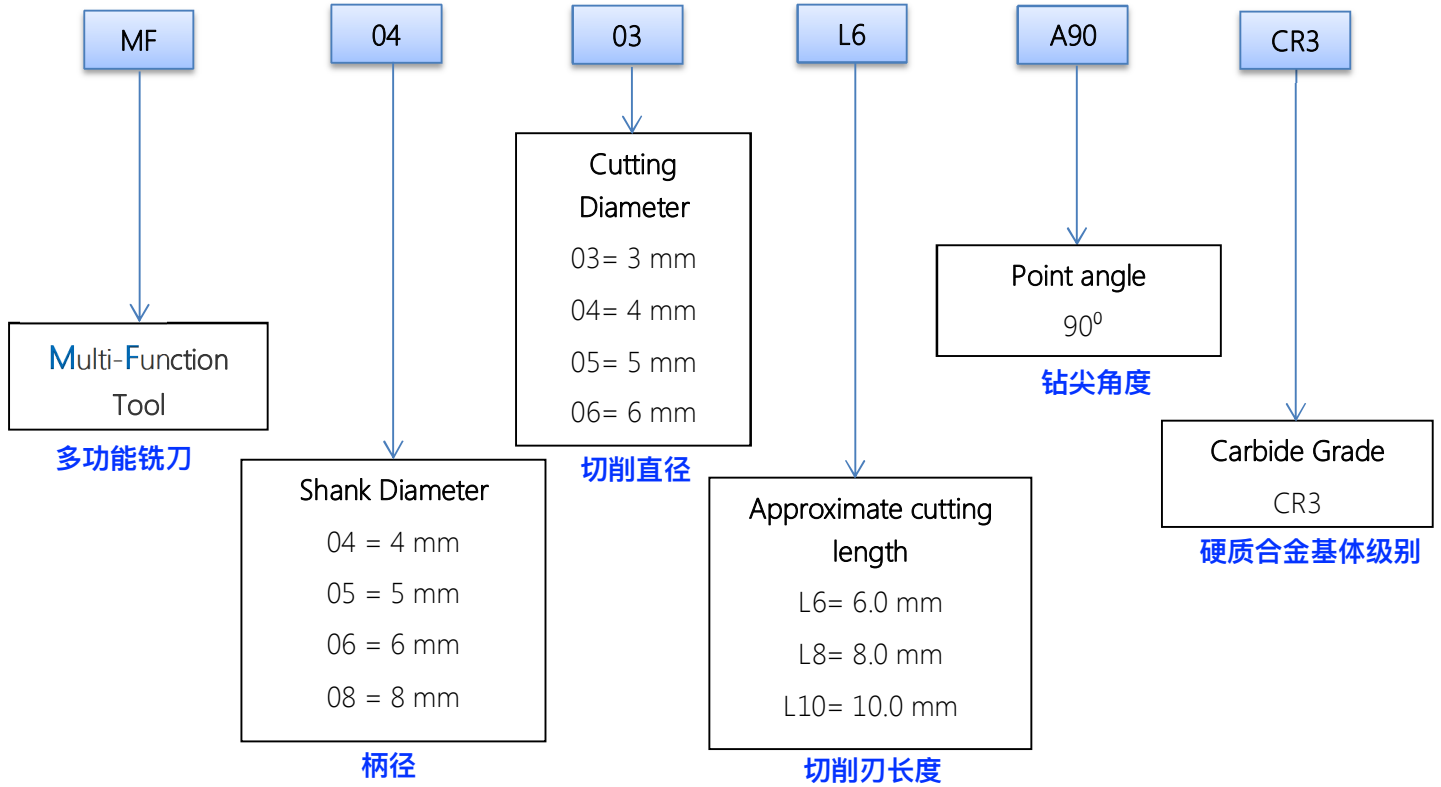
A New Generation of PVD Coating for High-Performance Cutting Applications
应用于高性能切削的，新一代物理气相沉积PVD涂层。



Product Identification 产品识别



Ordering Codes 订货样式



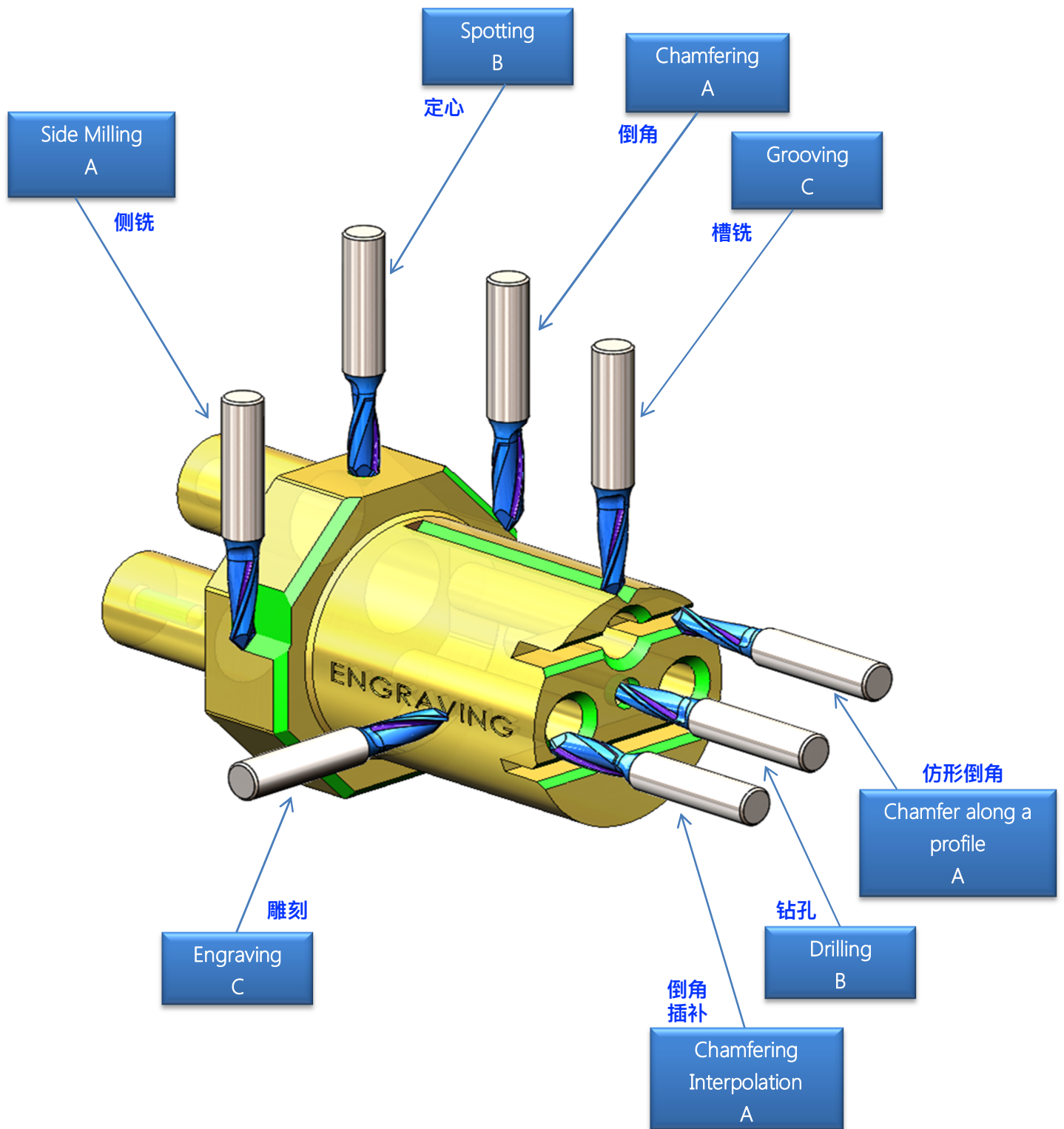
订货号 Ordering Code	柄径 d	切削径 D	钻尖角度 α	钻心厚度 *T	有效刃长 l	总长 L
MF 0403 L6 A90	4	3.0	90°	0.3	6.0	51
MF 0504 L8 A90	5	4.0	90°	0.4	8.0	51
MF 0605 L10 A90	6	5.0	90°	0.5	10.0	58
MF 0806 L12 A90	8	6.0	90°	0.6	12.0	64
MF 1008 L16 A90	10	8.0	90°	0.8	16.0	73
MF 1210 L18 A90	12	10.0	90°	1.0	18.0	84
MF 1212 L20 A90	12	12.0	90°	1.2	20.0	84

ISO	CR3
P	●
M	●
K	●
N	●
S	●
H	○

* T=Web thickness 钻心厚度

● First choice 首选 ○ Alternative 次选

Working Method 加工方法



Cutting Data 切削参数

A: Side milling, Chamfering **A: 侧铣、倒角**
 B: Spotting, Drilling **B: 定心、钻孔**
 C: Grooving, Engraving **C: 铣槽、雕刻**

ISO Standard	Materials Class 材料	线速度 Vc [m/min]	Fz [mm/tooth] 每齿进给 切削直径		
			Ø3- Ø4	Ø5- Ø6	Ø8- Ø12
P	Low & Medium Carbon Steels <0.55%C 低、中碳钢	50-115	A: 0.003-0.01 B: 0.003-0.007 C: 0.005-0.015	A: 0.005-0.02 B: 0.004-0.009 C: 0.006-0.025	A: 0.013-0.038 B: 0.007-0.015 C: 0.015-0.038
	High Carbon Steels ≥0.55%C 高碳钢	40-100	A: 0.002-0.012 B: 0.003-0.007 C: 0.005-0.018	A: 0.005-0.018 B: 0.006-0.01 C: 0.01-0.028	A: 0.009-0.03 B: 0.009-0.018 C: 0.016-0.047
	Alloy Steels, Treated Steels 合金钢	40-100	A: 0.002-0.008 B: 0.003-0.006 C: 0.005-0.015	A: 0.005-0.015 B: 0.004-0.009 C: 0.005-0.018	A: 0.013-0.031 B: 0.006-0.015 C: 0.015-0.031
M	Stainless Steel-Free Cutting 易切不锈钢	30-85	A: 0.004-0.012 B: 0.003-0.007 C: 0.004-0.018	A: 0.007-0.018 B: 0.004-0.016 C: 0.006-0.018	A: 0.018-0.047 B: 0.008-0.024 C: 0.012-0.047
	Stainless Steel-Austenitic 奥氏体不锈钢	25-70	A: 0.005-0.010 B: 0.003-0.006 C: 0.004-0.015	A: 0.006-0.015 B: 0.004-0.015 C: 0.005-0.017	A: 0.017-0.04 B: 0.007-0.02 C: 0.01-0.035
	Cast Steels 铸造不锈钢	40-90	A: 0.004-0.012 B: 0.003-0.007 C: 0.004-0.018	A: 0.007-0.018 B: 0.004-0.016 C: 0.006-0.018	A: 0.018-0.047 B: 0.008-0.024 C: 0.012-0.047
K	Cast Iron 铸铁	30-120	A: 0.003-0.01 B: 0.003-0.007 C: 0.005-0.015	A: 0.005-0.02 B: 0.004-0.009 C: 0.006-0.025	A: 0.013-0.038 B: 0.007-0.015 C: 0.015-0.038
N	Aluminum ≤12%Si, Copper 铝、铜	90-120	A: 0.005-0.008 B: 0.004-0.007 C: 0.005-0.008	A: 0.01-0.02 B: 0.008-0.015 C: 0.01-0.02	A: 0.025-0.045 B: 0.02-0.04 C: 0.025-0.045
	Aluminum >12%Si 高硅铝	75-100	A: 0.003-0.006 B: 0.003-0.005 C: 0.003-0.008	A: 0.005-0.015 B: 0.006-0.01 C: 0.005-0.015	A: 0.02-0.032 B: 0.015-0.035 C: 0.02-0.032
	Synthetics, duroplastics, 合成橡胶 thermoplastics 塑料、热塑性塑料	90-120	A: 0.005-0.008 B: 0.004-0.007 C: 0.005-0.008	A: 0.01-0.02 B: 0.008-0.015 C: 0.01-0.02	A: 0.025-0.045 B: 0.02-0.04 C: 0.025-0.045
S	Nickel alloys, Titanium alloys. 镍基合金、钛合金	20-60	A: 0.004-0.008 B: 0.003-0.007 C: 0.002-0.005	A: 0.007-0.01 B: 0.006-0.008 C: 0.005-0.007	A: 0.01-0.025 B: 0.008-0.02 C: 0.007-0.015
H	Hardened Steel 40-45 HRc HRC40-45硬钢	20-60	A: 0.005-0.009 B: 0.004-0.008 C: 0.003-0.006	A: 0.008-0.015 B: 0.007-0.009 C: 0.006-0.008	A: 0.015-0.03 B: 0.009-0.025 C: 0.008-0.02